



empowering technology

SHREDDER USER MANUAL

Manuel d'utilisateur
de défibreur

Trituradora manual
del usuario

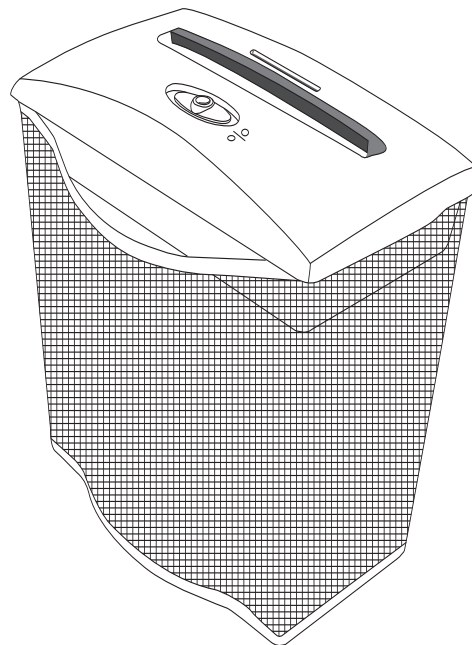


Table of Contents

Thank you for your purchase. It is important that you refer to the setup instructions that pertain to the model you have purchased.

Warranty & Return Information.....	3
Identity Theft Protection Tips for Consumers.....	4
How to Use Your Shredder	
Setup - Fixed basket models.....	5
How to Maintain Your Shredder.....	6
Clearing a Jam.....	7
Overheating.....	7
Staples and Paperclips.....	7
Warnings.....	8



WARNING



ALERTA




- PRODUCT IS NOT INTENDED FOR USE BY CHILDREN (PRODUCT IS NOT A TOY).
- AVOID TOUCHING THE DOCUMENT FEED OPENING WITH HANDS.
- AVOID CLOTHING TOUCHING THE DOCUMENT FEED OPENING.
- AVOID HAIR TOUCHING THE DOCUMENT FEED OPENING.
- AVOID CONTACT WITH WATER.
- KEEP AEROSOL PRODUCTS AWAY.

- EL PRODUCTO NO ES PENSADO PARA EL USO POR CHILDREN (EL PRODUCTO NO ES UN JUGUETE).
- EVITE DE TOCAR LA APERTURA DE LA ALIMENTACIÓN DE DOCUMENTO CON LAS MANOS.
- EVITE DE ARROPAR TOCANDO LA APERTURA DE LA ALIMENTACIÓN DE DOCUMENTO.
- EVITE EL PELO QUE TOCA LA APERTURA DE LA ALIMENTACIÓN DE DOCUMENTO.
- EVITE EL CONTACTO CON AGUA.
- PRODUCTOS DEL MANTIENE AREOSOL AUSENTES.








Limited Warranty-Product One Year / Cutter 3 Years

WHAT THIS WARRANTY COVERS: This limited warranty covers the original purchase of new product used for normal commercial, personal or household use. Office Depot, Inc. (ODP) warrants its products will be free from defects in materials and workmanship (normal wear and tear excepted), for one (1) year from the date of purchase, except as provided below. ODP shall further provide a limited warranty on the cutting cylinders of the product for a period of three (3) years from the date of purchase, except as provided below. ODP, at its option, will replace with a comparable product or with cutting cylinders (as applicable), free of charge, or provide a store credit for the approximate retail value of the item as determined by ODP, if the product or cutting cylinders fail under normal use as a result of such defect.

WHAT THIS WARRANTY DOES NOT COVER: This warranty does not apply to damage caused by fire, accident, negligence, misuse, improper cleaning or other circumstances not directly attributable to manufacturing defects.

LIMITATION OF DAMAGES: ODP PROVIDES THIS LIMITED WARRANTY IN LIEU OF ALL OTHER WARRANTIES EITHER EXPRESS OR IMPLIED. EXPRESSLY EXCLUDED ARE ALL WARRANTIES OF FITNESS FOR A PARTICULAR PURPOSE OR MERCHANTABILITY. ODP'S SOLE OBLIGATION AND THE USER'S EXCLUSIVE REMEDY UNDER THIS WARRANTY SHALL BE LIMITED TO THE REPLACEMENT AT ODP'S SOLE DISCRETION AND COST, OF PRODUCT OR COMPONENTS.

IN NO EVENT SHALL ODP, ITS AFFILIATES, SUBSIDIARIES OR PARENT COMPANIES BE RESPONSIBLE FOR CONSEQUENTIAL, SPECIAL, OR INCIDENTAL DAMAGES ARISING OUT OF A CLAIM OF DEFECTIVE PRODUCT EVEN IF ODP HAS BEEN ADVISED OF THE POSSIBILITY OF SUCH DAMAGES.

SOME STATES OR PROVINCES DO NOT ALLOW THE EXCLUSION OF IMPLIED WARRANTIES OR LIMITATIONS ON HOW LONG AN IMPLIED WARRANTY LASTS OR THE EXCLUSION OR LIMITATION OF INCIDENTAL OR CONSEQUENTIAL DAMAGES SO THE ABOVE LIMITATIONS MAY NOT APPLY TO YOU. THIS WARRANTY GIVES YOU SPECIFIC LEGAL RIGHTS, AND YOU MAY ALSO HAVE OTHER RIGHTS WHICH MAY VARY BY STATE OR PROVINCE.

THIS WARRANTY APPLIES ONLY TO THE U.S. AND CANADA.

Return Instructions

Please call 1-866-707-9502 for product support and warranty claims.

Identity Theft Protection Tips for Consumers

How can you prevent becoming a victim of identity theft? While no one can totally prevent this crime from occurring, here are some positive steps to take which will decrease your risk.

1. Carefully destroy papers you throw out. Be especially careful with those containing sensitive or identifying information. Use your shredder for destroying documents.
2. Check your credit reports at least once a year.
3. Always guard your Social Security Number (SSN). Don't carry your Social Security Card with you.
4. Do not put your SSN or driver's license number on your personal checks.
5. Guard all of your personal information. Never give your SSN to anyone unless they have a good reason for needing it.
6. Watch out for people who may try to eavesdrop to overhear the information you give out verbally.
7. Never provide information to telephone solicitors unless you have initiated the call.
8. Immediately delete (and don't reply to) any suspicious email requests, especially if they are asking for passwords or other unique, identifying information.
9. Use a P.O. Box or locked mailbox for all mail correspondence.
10. Reduce the number of preapproved credit card offers you receive by calling 1-888-5OPT OUT (they will ask for your SSN).
11. Request a credit freeze if you live in a state that allows this option.

How to Use Your Shredder

Setup - Fixed basket model

Mount the shredder securely to the rim of the basket. Connect the power cord to any standard 120 volt AC outlet.

Note: Some shredders include a built-in safety mechanism that requires the shredder to be correctly mounted on the supplied wastebasket. Lining the wastebasket with a plastic bag will interfere and may keep the shredder from functioning properly.

Caution: All shredders have very sharp, exposed blades on the underside. Please use care when mounting the shredder on to the wastebasket.

SPECIFICATIONS:

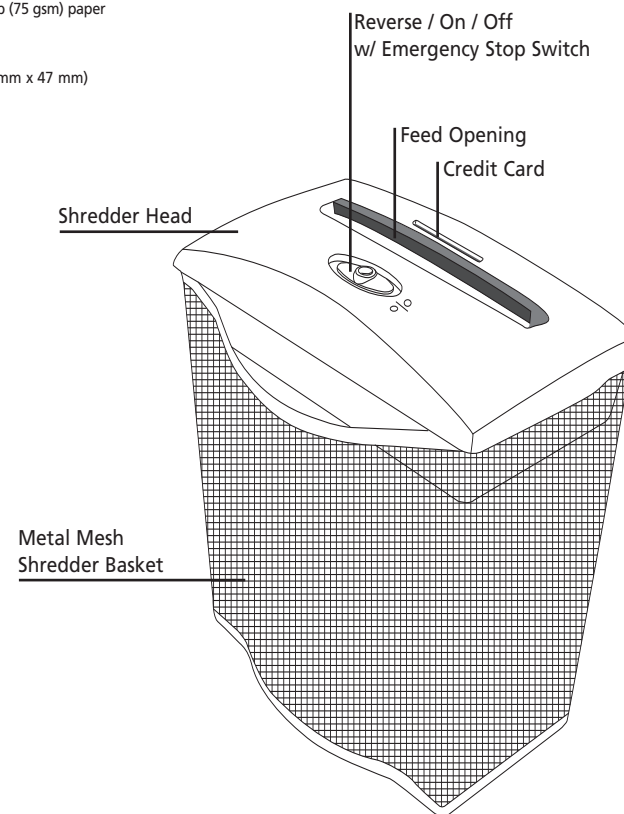
Shredding Capacity: 8 Sheets of 20lb (75 gsm) paper

Shred Type: Diamondcut™

Shred Size: 0.28 in. x 1.85 in. (7.2 mm x 47 mm)

Throat Width: 8.56 in. (218 mm)

- ↑↓ REVERSE
- OFF
- ⏻ AUTO ON / READY



How to Maintain your Shredder

Use Shredder Lubricant Regularly

- Only use lubricants specifically designed for your shredder, such as shredder lubricant, shredder lubricant sheets or shredder lubrication pouches.
- NEVER use spray lubricants.
- Follow directions on the shredder lubricant, shredder lubricant sheets or shredder lubrication pouches.
- Do not touch the cutting surface.
- Continue to recycle waste paper in a normal manner.

When Using Shredder Lubricant Sheets or Pouch

Never tear or open a shredder lubricant sheet. Please, empty waste basket prior to use. Shred one shredder lubricant sheet by feeding sheet in the direction on the arrows, directly into the paper feed entrance as per the instructions that came with your shredder. After shredding the lubricant sheet run the shredder in reverse for 10 seconds for optimal performance. Align the first lubricant sheet to the left of the shredder throat. The next time you use a shredder lubricant sheet align the pouch to the right of the shredder throat. Continue to alternate between aligning the pouches to the left and right to ensure the entire cutting mechanism remains well lubricated. Re-lubricate your shredder by shredding a lubrication sheet after 30 minutes of shredding, or, a minimum of twice per month to maintain maximum performance.

When Using Bottled Shredder Lubricant

Apply shredder lubricant directly into the paper feed entrance (Figure 2) and shred paper or apply a stripe of lubricant across a sheet of paper (Figure 3), then shred the paper as per the instructions that came with your shredder. After applying lubricant and shredding paper, run the shredder in reverse for 10 seconds for optimal performance. Reapply lubricant after 30 minutes of shredding or a minimum of twice per month to maintain maximum performance. Store in a cool dry place. Recycle empty bottle whenever possible or dispose of it in normal trash.

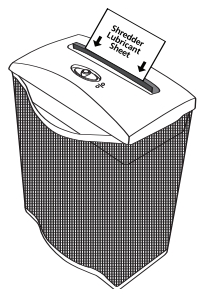


Figure 1

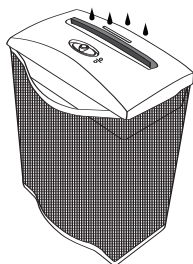


Figure 2

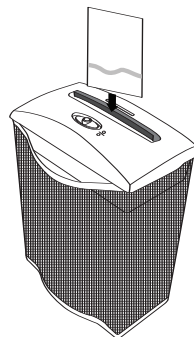


Figure 3

How to Maintain your Shredder

Clearing a Jam

If paper is not inserted properly into the shredder, or if the sheet capacity is exceeded, a jam may result. The shredder will automatically stop until the jam is cleared. Move the switch to the REVERSE (REV) position, and remove the excess paper from the top and pull it out.

TO PREVENT ANY INJURIES, DO NOT PLACE YOUR HANDS NEAR THE FEED OPENING.

Once the paper is cleared, normal shredding operation can resume. If the shredder jams while in reverse, press the switch to the FWD position and let shredder run to clear the jammed paper. If jam does not clear, slide the switch back and forth between the REV and FWD until the jam is cleared. If the jam cannot be cleared following this procedure, unplug the unit and carefully remove the jammed paper manually.

Staples and Paperclips

Shredders are designed primarily to shred paper and single credit cards or CDs (as indicated). Although our shredders are safe to shred the occasional standard staple, you should remove them if possible. Also, industrial or non-standard, large size staples must be removed. Paperclips should not be shredded at any time, as they significantly reduce the life of the shredder. Please remove staples and paperclips from paper before shredding.

Warnings

- CAUTION: KEEP THIS DEVICE AWAY FROM CHILDREN AND PETS! Place the paper shredder in an area less accessible to children.
- DO NOT PLACE FINGERS TOO CLOSE TO THE FEED SLOT AS SERIOUS INJURY MAY OCCUR. Paper shredders can pull children's fingers into the shredder mechanism.
- AVOID GETTING JEWELRY, HAIR OR LOOSE CLOTHING NEAR THE FEED SLOT. If wearing a tie or long necklace, use caution to keep items away from the shredder opening.
- Connect the cord to any standard 120 volt AC outlet.
- RISK OF FIRE. NEVER dispose of flammable chemicals or materials that have come into contact with flammable chemicals (for example, nail polish, acetone, gasoline) in the shredder basket.
- ALWAYS turn the shredder off and unplug the power cord from the AC outlet before cleaning it, moving it, or emptying the wastebasket.
- NEVER place the shredder near water or any heat source.
- ALWAYS keep wastebasket emptied so that the shredder's output is not impeded.
- NEVER use any petroleum based or flammable oils or lubricants in or around the machine as some oils can combust causing serious injury. Lubricants specifically designed for shredders are acceptable.
- NEVER spray any aerosol-based products in or around the shredder.
- NEVER shred envelopes, labels or anything with glue or any sticky substance as this will lead to paper jams.
- AVOID shredding paperclips.
- DO NOT use the shredder if the power cord is damaged in any way.
- DO NOT attempt to service this product yourself as doing so may expose you to sharp cutting blades and/or electricity and will void the manufacturer's warranty.
- NEVER let the wastebasket get full. This will lead to shredded material being pulled back up into the shredder and cause jams.



PRODUCT IS NOT INTENDED FOR USE BY CHILDREN



AVOID TOUCHING THE DOCUMENT FEED OPENING WITH HANDS



AVOID CLOTHING TOUCHING THE DOCUMENT FEED OPENING



AVOID HAIR TOUCHING THE DOCUMENT FEED OPENING



AVOID CONTACT WITH WATER



KEEP AEROSOL PRODUCTS AWAY



ELECTRIC SHOCK HAZARD